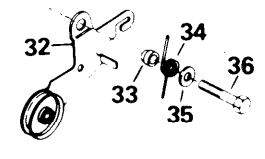
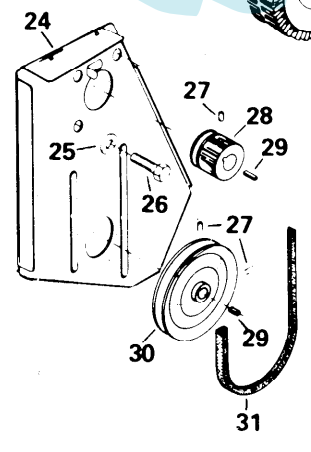
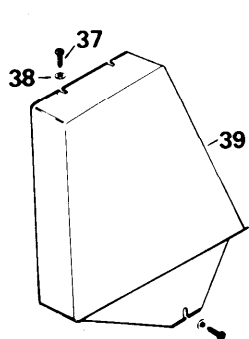
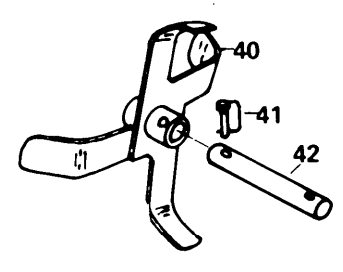
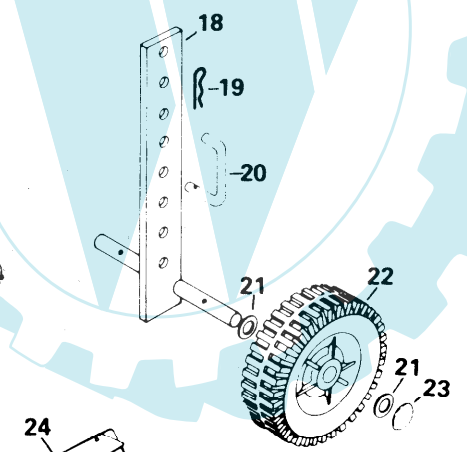
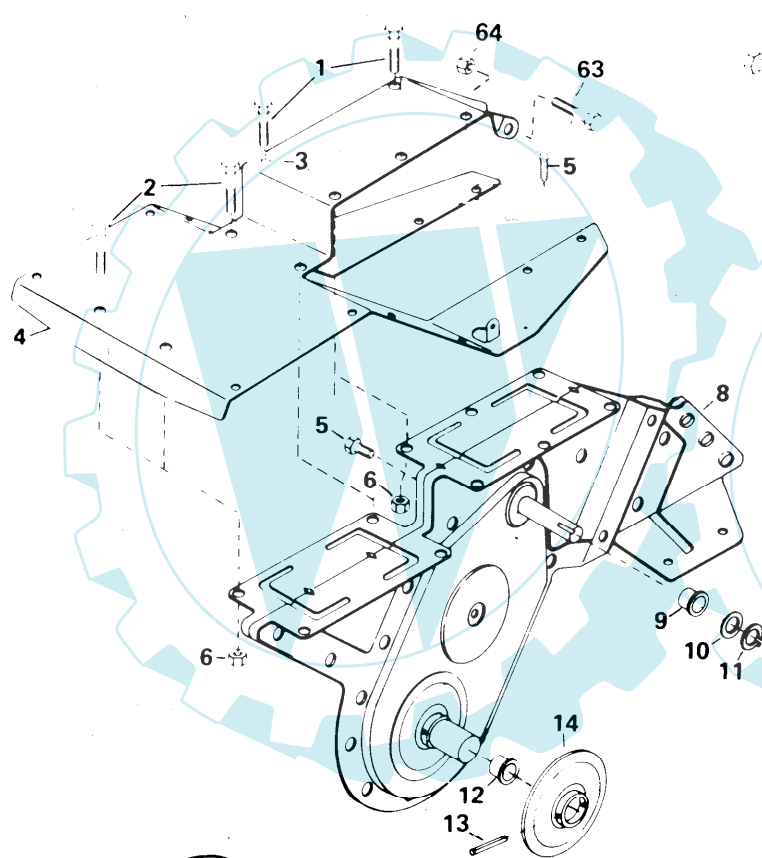
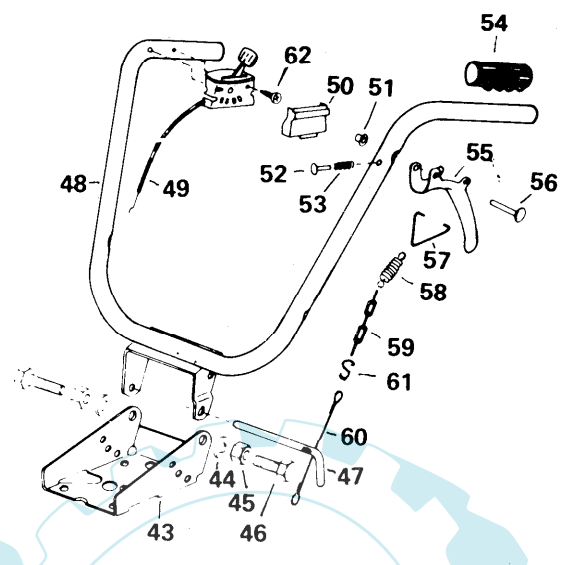
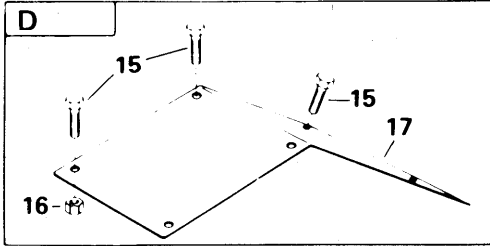


**Flymo**

**DM-2 9953350**





## DM-2 9953350

KEY No.	PART No.	DESCRIPTION	QUANTITY	COMMENTS/ APPLICATION	KEY No.	PART No.	DESCRIPTION	QUANTITY	COMMENTS/ APPLICATION
1	515700840-00/9	BOLT	4		48	5166879-00/6	HANDLE	1	
2	515701812-00/7	BOLT	4		49	5168101-00/3	THROTTLE CONTROL COMPLETE	1	
3	515768012-00/4	WASHER BASE	4		50	515104673-00/6	RETAINER THROTTLE CONTROL	1	
4	5163931-00/8	TINE GUARD	1		51	515116058-00/6	SNAP RING	1	
5	515744111-00/3	BOLT	5		52	515120043-00/2	PIN LOCK-OFF	1	
6	515763008-00/7	NUT LOCK	8		53	515118193-00/9	SPRING	1	
7	5163976-00/3	DISTANCE PLATE	4		54	515104121-00/6	GRIP PLASTIC	2	
8	5167720-00/1	CHAIN CASE COMPLETE	1	NLA USE 5167719-00/3	55	515139761-00/8	LEVER CLUTCH	1	
9	5169009-00/7	BEARING	2		56	515120074-00/7	PIN	1	
10	5169880-00/9	WASHER	2		57	515118169-00/9	HOOK COUPLING	1	
11	5169007-00/1	CIRCLIP	2		58	515118194-00/7	SPRING	1	
12	515108039-00/6	BEARING	2		59	515144041-00/8	CHAIN CLUTCH ADJUSTMENT	1	
13	515786528-00/7	PIN	2		60	5168119-00/5	CABLE	1	NLA USE 5168154-00/2
14	5163921-00/9	COVER DUST	2		61	515118358-00/8	HOOK-S	1	
15	515701612-00/1	BOLT	6		62	515745035-00/3	SCREW	2	
16	515763006-00/1	NUT	6		63	515700055-00/4	BOLT	1	
17	5163929-00/2	STONE GUARD EXTENSION	2	D.	64	515763010-00/3	NUT	1	
18	5166880-00/4	ARRESTER BAR	1						
19	515118248-00/1	SPRING PIN	1						
20	515120076-00/2	ARRESTER BOLT	1						
21	515768014-00/0	WASHER	4						
22	515202604-00/2	WHEEL ASSY	2						
23	515116040-00/4	LOCK WASHER	2						
24	5163930-00/0	ENGINE BRACKET	1						
25	515772009-00/4	WASHER SPRING	1						
26	515123201-00/3	BOLT	1						
27	515729810-00/7	SCREW GRUB	3						
28	515137411-00/2	ENGINE PULLEY	1						
29	515117009-00/8	KEY	2						
30	5166885-00/3	PULLEY	1						
31	5169011-00/3	BELT	1						
32	5166889-00/5	BELT TENSION ROLLER	1						
33	5163914-00/4	DISTANCE SPACER	1						
34	5163911-00/0	SPRING	1						
35	515796024-00/5	WASHER	1						
36	515123203-00/9	BOLT	1						
37	515745033-00/8	SCREW	3						
38	515768009-00/0	WASHER	3						
39	5168300-00/1	BELT COVER	1						
40	9970053-10/5	TINE	4	SINGLE					
41	9970051-10/9	TINE PIN	6						
42	9970052-10/7	TINE SHAFT	2						
43	5163905-00/2	BRACKET HANDLE RETAINER	1						
44	515768012-00/4	WASHER BASE	2						
45	515763008-00/7	NUT LOCK	2						
46	515701814-00/3	BOLT	2						
47	5163906-00/0	HANDLE LOCKING PIN	1						

PRODUCT VARIANT

9953350-01 GB.